

*gen***Ergy**TM



POWER DISTRIBUTION

200A RENTALIZED LOAD CENTER

Options

- Custom power output configurations
- Custom powder-coat paint designs
- Portable power cable assemblies

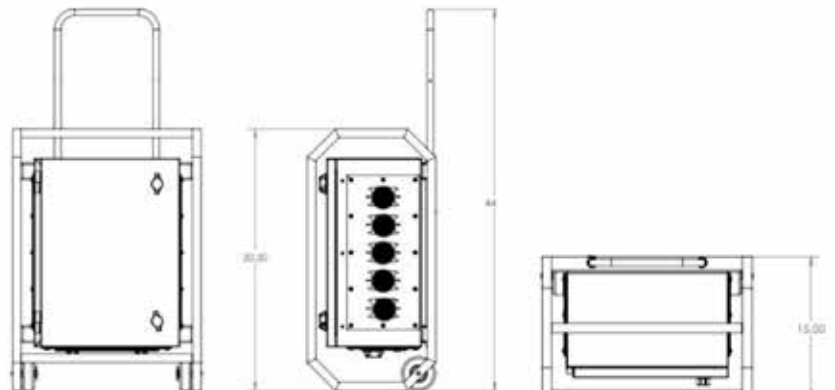
200A 120/208V QO Rentalized Load Center with Cam-lock Input and 30" Spacing Load Center

- Powder-coated **aluminum NEMA 3R enclosure**
- Powder-coated **heavy-duty carbon steel protective frame** with casters and telescopic handle
- Ships with a **set of male green, white, black, red and blue 16 series cam-lock inputs** with clear plastic covers
- **Square D QO OEM interior rated for 200A 240VAC MLO** (accepts QO breakers only) 30 – one spacing MAX
- Two large **output gland plates** (up to **ten single gang NEMA receptacles output**)
- **UL listed** portable power distribution unit
- Easy to access **trap door for hard wire in applications**
- Large polycarbonate **clear window** for viewing **phase indicator LED pilot lights** available



SPECIFICATIONS

Part Number	Approx. Weight (lbs.)	Overall Dimensions (ins.)			Maximum Rating		
		Height	Depth	Width	VAC	AIC	Spacing
GENPL200	78	32.50	12.63	22	240	10K	30



Specifications contained herein reflect current data and are subject to change. Values are nominal and/or approximate.

400A RENTALIZED LOAD CENTER

Options

- Custom Power Output Configurations
- Custom Powder-Coat Paint Designs
- Portable Power Cable Assemblies

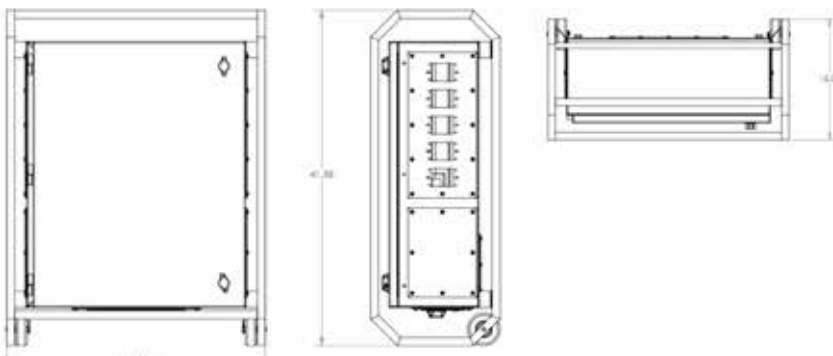


400A 120/208V QO Rentalized Load Center with Cam-Lock Input and 30" Spacing Load Center

- Powder-coated **aluminum NEMA 3R enclosure**
- Pad lockable 1/4 turn latch
- Powder-coated **heavy-duty carbon steel protective frame** with casters
- Ships with a **set of male green, white, black, red and blue 16 series cam-lock inputs** with clear plastic covers
- **Square D QO OEM interior rated for 400A 240VAC MLO** (accepts 30 – one spacing QO breakers max)
- Up to **10x standard NEMA receptacles output**
- **UL listed** portable power distribution unit
- Easy to access **trap door for hard wire in applications**
- 2 large output gland plates for up to **ten single gang NEMA receptacles**
- Large polycarbonate **clear window** for viewing **phase indicator LED pilot lights** available

SPECIFICATIONS

Part Number	Approx. Weight (lbs.)	Overall Dimensions (ins.)			Maximum Rating		
		Height	Depth	Width	VAC	AIC	Spacing
GENPL400	210	41.375	16	32	240	100K	30



Specifications contained herein reflect current data and are subject to change. Values are nominal and/or approximate.

800A RENTALIZED I-LINE PANEL

Options

- Custom power output configurations
- Custom powder-coat paint designs
- Portable power cable assemblies

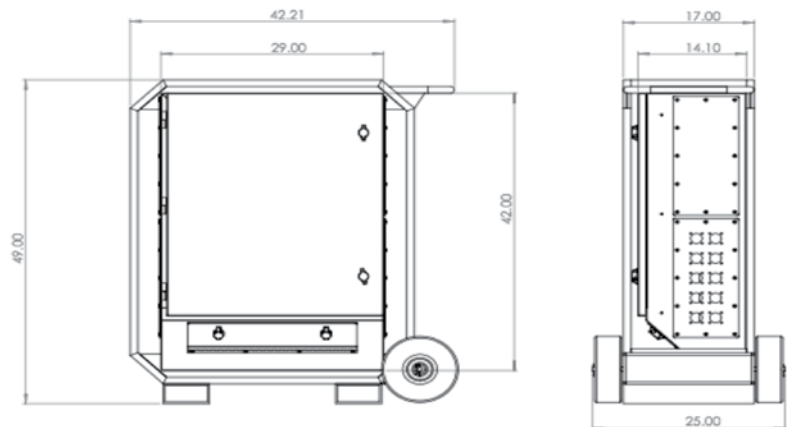
800A 600V Rentalized I-Line Panel with Cam-lock Input and 22.5" Spacing Load Center

- Powder-coated **aluminum NEMA 3R enclosure**
- Powder-coated **heavy-duty aluminum protective frame with 10" casters**
- Ships with a **set of male green, white, black, red and blue 16 series cam-lock inputs** with clear plastic covers
- **800A Square D I-Line 600VAC Interior 22.5" Spacing**
- **UL listed** portable power distribution unit
- **Easy access trap door** for hard wire in applications
- **Forklift pockets**
- **4 large output blank gland plates**
- **800A solid neutral** (not bonded to the ground)
- **2 large blank gland plates with ten cam-lock holes** (spare for future application)
- **Spare blank filler/extension kit**
- Large polycarbonate **clear window** for viewing **phase indicator LED pilot lights** available



SPECIFICATIONS

Part Number	Approx. Weight (lbs.)	Overall Dimensions (ins.)			Maximum Rating		
		Height	Depth	Width	VAC	AIC	Spacing
GENIL800	300	49	42.21	25	600	250K	22.5



Specifications contained herein reflect current data and are subject to change. Values are nominal and/or approximate.

1200A RENTALIZED I-LINE PANEL

Options

- Custom Power Output Configurations
- Custom Powder-Coat Paint Designs
- Portable Power Cable Assemblies

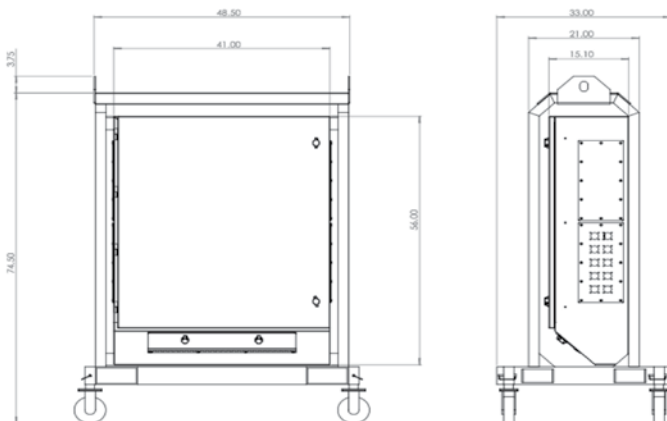


1200A 600V Rentalized I-Line Panel with Cam-lock Input and 45 Spacing Load Center

- Powder-coated **aluminum NEMA 3R enclosure**
- Powder-coated **heavy-duty aluminum protective frame** with 2 rigid and 2 swivel **removable casters**
- Ships with a **set of male green, white, black, red and blue 16 series cam-lock inputs** with clear plastic covers
- **1200A Square D I-Line 600VAC Interior 45" Spacing Type HCP**
- **UL listed** portable power distribution unit
- Heavy-duty **lifting eyelets**
- **Forklift pockets**
- **4 large output blank gland plates**
- **1200A solid neutral** (not bonded to the ground)
- **2 spare large output 10 cam-lock hole gland plates**
- **Spare blank filler/extension kit**
- Large polycarbonate **clear window** for viewing **phase indicator LED pilot lights** available

SPECIFICATIONS

Part Number	Approx. Weight (lbs.)	Overall Dimensions (ins.)			Maximum Rating		
		Height	Depth	Width	VAC	AIC	Spacing
GENIL1200	650	74.5	33	48.5	600	200K	45



Specifications contained herein reflect current data and are subject to change. Values are nominal and/or approximate.

PORTABLE POWER DISTRIBUTION UNITS/SPIDER BOXES

50A Input
20A, 30A, 50A Output
120/240 VAC (Max.)

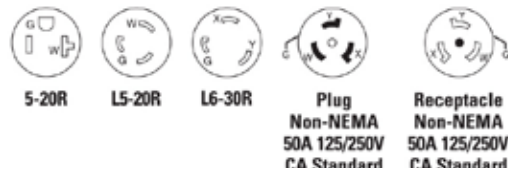
APPLICATIONS

Portable power distribution units safely distribute temporary power for industrial and construction job sites, live entertainment events, film sets, and all of your temporary power needs



FEATURES

- High visibility OSHA Safety Red powder-coated weather resistant enclosures
- Stackable units securely lock together for safe transport and storage
- Weatherproof outlet covers and flip-up circuit breaker cover prevent accidental tripping and protect from damage and weather



HEAVY-DUTY TEMPORARY POWER DISTRIBUTION UNITS

Part Number	Rating	Distribution Devices	Receptacle Ratings	Receptacle Component	Protection	
					Overload	GFCI
GEN300M	50A, 120/240 V/AC max.	(6) WR Duplex Receptacles (1) Locking Receptacle (1) Locking Inlet (1) Locking Outlet	20A, 125V 30A, 250V 50A, 125/250V 50A, 125/250V	WRBR20BK L630R CS6375RB CS6369RB	X X - -	X X - -
GEN300M-L5	50A, 120/240 V/AC max.	(6) WR Duplex Receptacles (1) Locking Receptacle (1) Locking Inlet (1) Locking Outlet	20A, 125V 30A, 125V 50A, 125/250V 50A, 125/250V	WRBR20BK L530R CS6375RB CS6369RB	X X - -	X X - -
GEN301M	50A, 120/240 V/AC max.	(6) Single Receptacles (1) Locking Receptacle (1) Locking Inlet (1) Locking Outlet	20A, 125V 30A, 250V 50A, 125/250V 50A, 125/250V	1877BK L630R CS6375RB CS6369RB	X X - -	X - - -
GEN302M	50A, 120/240 V/AC max.	(6) Locking Receptacles (1) Locking Receptacle (1) Locking Inlet (1) Locking Outlet	20A, 125V 30A, 250V 50A, 125/250V 50A, 125/250V	L530R L630R CS6375RB CS6369RB	X X - -	X - - -
GEN303M	50A, 120/240 V/AC max.	(3) Single Receptacles (3) Locking Receptacles (1) Locking Receptacle (1) Locking Inlet (1) Locking Outlet	20A, 125V 20A, 125V 30A, 250V 50A, 125/250V 50A, 125/250V	1877BK L520R L630R CS6375RB CS6369RB	X X X - -	X - - - -
GEN3001M	50A, 120/240 V/AC max.	(7) WR Duplex Receptacles (1) Locking Inlet (1) Locking Outlet	20A, 125V 50A, 125/250V 50A, 125/250V	WRBR20BK CS6375RB CS6369RB	X - -	X - -
GEN3021M	50A, 120/240 V/AC max.	(7) Locking Receptacles (1) Locking Inlet (1) Locking Outlet	20A, 125V 50A, 125/250V 50A, 125/250V	L520R CS6375RB CS6369RB	X - -	X - -

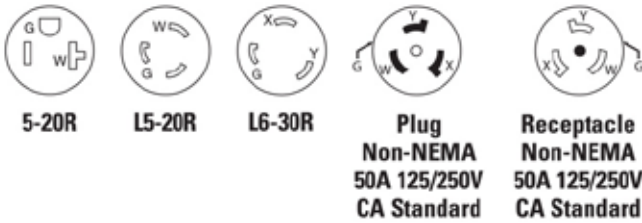
Specifications contained herein reflect current data and are subject to change. Values are nominal and/or approximate.

SPIDER BOXES/PORTABLE POWER DISTRIBUTION UNITS

50A Input
20A, 30A, 50A Output
120/240 VAC (Max.)

APPLICATIONS

Portable power distribution units provide reliable power for industrial and construction sites, live entertainment events, film sets, and all of your temporary power needs



FEATURES

- Safely centralize and distribute temporary power on the job and construction site
- Heavy-duty safety yellow steel enclosure provides NEMA 3R weather resistance for durability and long life
- Units securely lock together for safe transport and storage
- Weatherproof outlet covers and flip-up circuit breaker cover prevent accidental tripping and protect from damage and weather
- Designed with two devices per circuit



HEAVY-DUTY TEMPORARY POWER DISTRIBUTION UNITS

Part Number	Rating	Distribution Devices	Receptacle Ratings	Receptacle Component	Protection	
					Overload	GFCI
GEN300ME	50A, 120/240 V/AC max.	(6) WR Duplex Receptacles (1) Locking Receptacle (1) Locking Inlet (1) Locking Outlet	20A, 125V 30A, 250V 50A, 125/250V 50A, 125/250V	WRBR20BK L630R CS6375RB CS6369RB	X X - -	X - - -
GEN300ME-L5	50A, 120/240 V/AC max.	(6) WR Duplex Receptacles (1) Locking Receptacle (1) Locking Inlet (1) Locking Outlet	20A, 125V 30A, 125V 50A, 125/250V 50A, 125/250V	WRBR20BK L530R CS6375RB CS6369RB	X X - -	X - - -
GEN301ME	50A, 120/240 V/AC max.	(6) Single Receptacles (1) Locking Receptacle (1) Locking Inlet (1) Locking Outlet	20A, 125V 30A, 250V 50A, 125/250V 50A, 125/250V	1877BK L630R CS6375RB CS6369RB	X X - -	X - - -
GEN302ME	50A, 120/240 V/AC max.	(6) Locking Receptacles (1) Locking Receptacle (1) Locking Inlet (1) Locking Outlet	20A, 125V 30A, 250V 50A, 125/250V 50A, 125/250V	L530R L630R CS6375RB CS6369RB	X X - -	X - - -

Specifications contained herein reflect current data and are subject to change. Values are nominal and/or approximate.

Type W Assemblies and Pigtails
Type PPE Assemblies and Pigtails
50A Twist-Lock Extensions and Tie-Ins
SC Feeder Cable Assemblies
SC Tie-In Sets and Pigtails
5-Wire Banded Cam Lock Cable Extensions
Quad Stringer Extensions
Edison Extensions/5-15 Straight Blade Extensions
Nema Wiring Device Extensions
Pin & Sleeve Extensions
Medium Voltage
Type SJOOW 300V Flexible Power Cord
Type SOOW 600V Flexible Power Cord
Type SC 600V Entertainment Cable
Type PPE 2000V Portable Power Cable
Type W 2000V Power Cable
Type W Multi-Conductor 2/C, 3/C, 4/C, 5/C
Type DLO (Diesel Locomotive Cable)
Type SOOW 600V Flexible Power Cord
Medium Voltage MV-105 5kV/8kV
Medium Voltage MV-105 15kV
Jumper Cable 5kV/8kV
Type SH 5kV Medium Voltage Power Cable
Type SH 15kV Medium Voltage Power Cable
Power Distribution Boxes
Load Centers
I-Line Panels
Connectors
Cable Carrying Straps
Industrial Strength Cable Ramps
Heavy-Duty Collapsible Containers

POWER DISTRIBUTION

GENERGY HEADQUARTERS
P.O. BOX 10731
LANCASTER, PA 17605

GENERGYCABLE.COM
Phone 717-584-0375
Fax 717-704-8445
Toll-Free 800-308-1330

WAREHOUSES
Edmonton, AB
Houston, TX
Jacksonville, FL
Lancaster, PA
Valencia, CA