

800A RENTALIZED I-LINE PANEL

Options

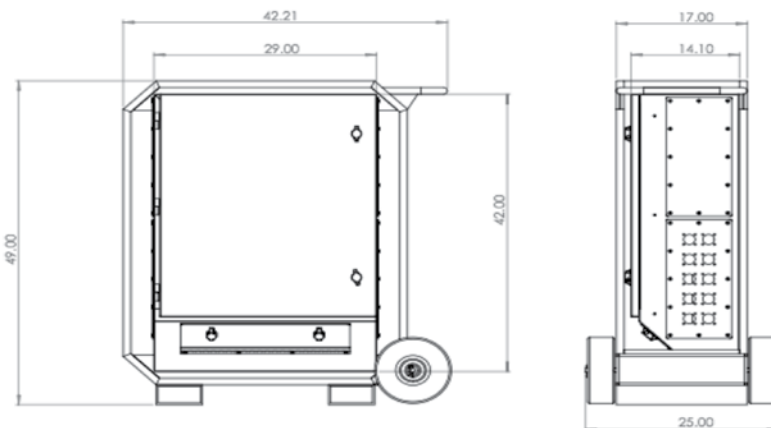
- Custom power output configurations
- Custom powder-coat paint designs
- Portable power cable assemblies

genErgy™



SPECIFICATIONS

| Part Number | Approx. Weight (lbs.) | Overall Dimensions (ins.) | | | Maximum Rating | | |
|-------------|-----------------------|---------------------------|-------|-------|----------------|------|---------|
| | | Height | Depth | Width | VAC | AIC | Spacing |
| GENIL800 | 300 | 49 | 42.21 | 25 | 600 | 250K | 22.5 |



800A 600V Rentalized I-Line Panel with Cam-lock Input and 22.5" Spacing Load Center

- Powder-coated **aluminum NEMA 3R enclosure**
- Powder-coated **heavy-duty aluminum protective frame with 10" casters**
- Ships with a **set of male green, white, black, red and blue 16 series cam-lock inputs** with clear plastic covers
- **800A Square D I-Line 600VAC Interior 22.5" Spacing**
- **UL listed** portable power distribution unit
- **Easy access trap door** for hard wire in applications
- **Forklift pockets**
- **4 large output blank gland plates**
- **800A solid neutral** (not bonded to the ground)
- **2 large blank gland plates with ten cam-lock holes** (spare for future application)
- **Spare blank filler/extension kit**
- Large polycarbonate **clear window** for viewing **phase indicator LED pilot lights** available

GENERGY HEADQUARTERS
P.O. BOX 10731
LANCASTER, PA 17605

WAREHOUSES
Edmonton, AB
Houston, TX
Jacksonville, FL
Lancaster, PA
Valencia, CA

GENERGYCABLE.COM
Phone 717.584.0375
Fax 717.704.8445
Toll-Free 800.308.1330

Specifications contained herein reflect current data and are subject to change. Values are nominal and or approximate.

MADE IN USA